



# HYDRA-TECH PUMPS

## 6" HYDRAULIC SUBMERSIBLE TRASH PUMP

### MODELS:

**S6TC** (Ductile Iron Body)

**S6TCAL** (Aluminum Body)

6" (150 mm) Discharge

The S6TC is a 6" discharge trash pump designed specifically to easily pass through a 22" manhole. The S6TC uses a high efficiency two channel impeller with adjustable wear surface. It is available with a durable ductile iron or lightweight aluminum casing.



S6TC



S6TCAL



### FEATURES

- High Efficiency Closed Channel Impeller (will pass 3" semi-solids)
- Compact Design allows this pump to fit through a 21" opening
- Variable Speed hydraulic drive provides a wide range of performance
- Oil Lubricated Seals (can run dry)
- Adjustable Wear Ring
- Can be bolted directly into a pipeline or used as a booster pump
- Safe Hydraulic Drive can be used where electric power is hazardous or impractical
- Operates with our HT35 to HT60 power units or other hydraulic power sources capable of flows to 28 GPM

### SPECIFICATIONS

WEIGHT: S6TC.....	270 lbs. (122 kg)
S6TCAL.....	175 lbs. (80 kg)
HEIGHT:.....	34" (86 cm)
WIDTH (@ widest point):.....	20-3/4" (53 cm)
DISCHARGE:.....	6" NPT(F)
INLET FLANGE:.....	6" 125# ANSI
SOLIDS HANDLING:.....	3" (75 mm)
HOSE PORTS:.....	1" (-16) SAE
PUMP BODY: S6TC.....	Ductile Iron
S6TCAL.....	Aluminum
IMPELLER:.....	Ductile Iron
WEAR RING.....	Ductile Iron
SHAFT:.....	17-4 PH Stainless Steel
SHAFT SEAL:.....	Carbon / Ceramic (Std) Silicon Carbide (Opt)
ELASTOMERS:.....	Buna N (Std)
HYDRAULIC OIL:.....	214-320 s.s.u. @ 100°F (64°C)
INPUT FLOW:.....	Max. 28 GPM (106 LPM)
OPERATING PRESSURE:.....	Max 2900 PSI (197 Bar)
POWER SOURCE:.....	Any Open Center Hydraulic System

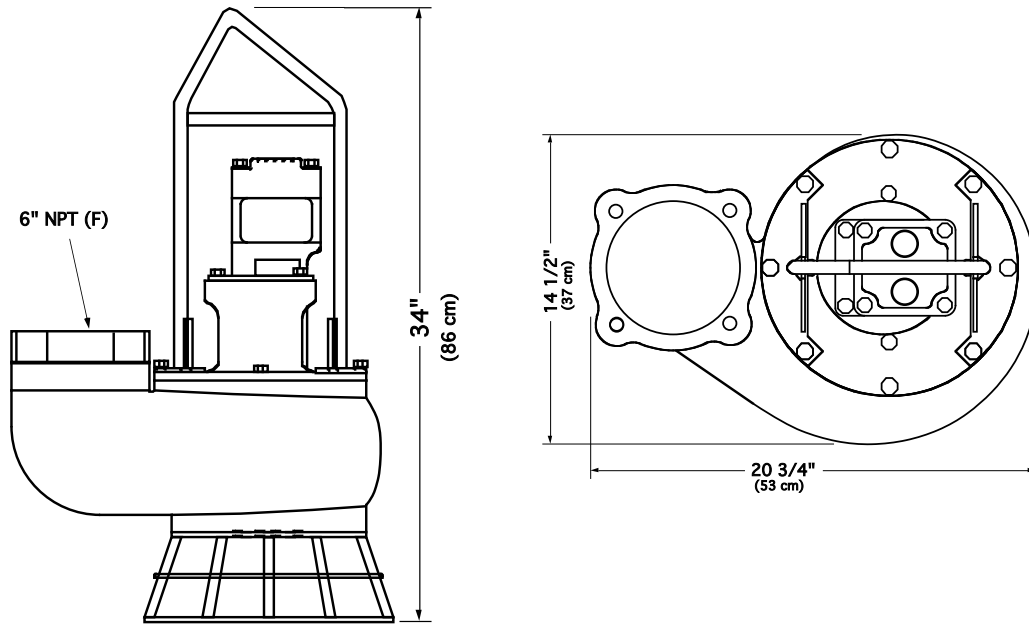
D0413

Specifications are subject to change without notice

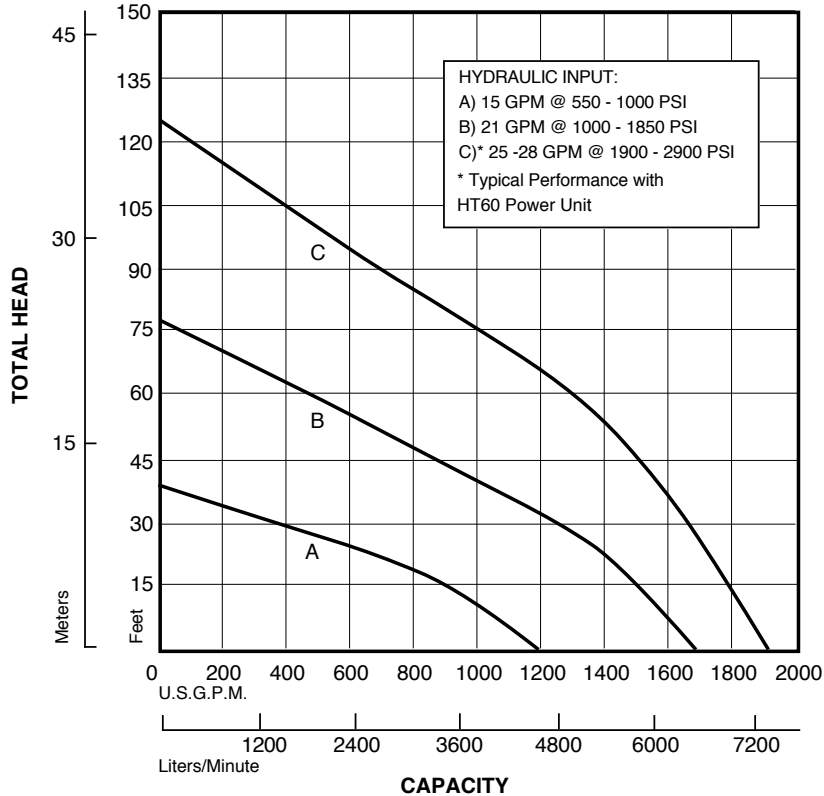


167 Stock Street, Nesquehoning, PA 18240 Phone: 570-645-3779 Fax: 570-645-4061  
Website: [www.hydra-tech.com](http://www.hydra-tech.com) E-Mail: [htpump@hydra-tech.com](mailto:htpump@hydra-tech.com)

## Model S6TC Overall Dimensions



## S6TC Typical Performance



Curves are based on pumping water at 60°F. For performance curves other than shown above, consult factory.

