



# PORTABLE HYDRAULIC POWER UNIT

## w/Autostart

### Model HSP-C4.4T /S1



#### HYDRAULIC SPECIFICATIONS

**Hose Ports:** 1" N.P.T.

**Hydraulic Pump:** Pressure Compensated Piston Type.

**Hydraulic Output:** Variable, Max 28 GPM (121 LPM).

**Maximum Operating Pressure:**

2900 PSI (200 Bar);

3000 PSI (206 Bar) Bypass.

**Hydraulic Oil:** Biodegradable Hydraulic Oil.

**Hydraulic Oil Reservoir Capacity:** 45 U.S. Gallons (189 Liters).

**Standard Equipment:** Lifting Bail, Combination Skid Base w/Fuel Tank, Pressure Control Valve, System Relief Valve, Spin-on Return Filter w/Indicator, Fluid Level/Temperature Gauge, Tank Top Filler/ Strainer, Variable Speed Control, Liquid Filled Pressure Gauge. Battery. High Speed (55 MPH/89 KM/H) Single Axle Pneumatic-Tired Wheel Kit w/DOT-Approved Lights and Electric Brakes. Single Ball Type Float Switch\*\*.

**\*\*50 Ft. (15 m) Standard Length.**

#### ENGINE SPECIFICATIONS

**Model:** Caterpillar C4.4.

**Type:** Four Cylinder, Four Cycle, Turbocharged, Liquid Cooled Diesel Engine.

**Displacement:** 269 Cu. In. (4,41 Liters).

**Lubrication:** Forced Circulation.

**Air Cleaner:** Dry Type.

**Fuel Tank:** 88 U.S. Gals. (330 liters).

**Full Load Operating Time:** 31.2 Hrs.

**Starter:** 12V Electric.

**Standard Features:** Low Oil Pressure and High Coolant Temperature Safety Shut Down Switches. Autostart Instrument Panel Includes: Tachometer, Voltmeter, Hourmeter, Coolant Temperature, Oil Pressure and Fuel Level Displays. Manual/Stop/Auto Key Switch, 10 Amp Fuse, Startup Warning Delay. Muffler w/Weather Cap. Throttle Control.

#### CATERPILLAR PUBLISHED PERFORMANCE:

Maximum Gross BHP (Intermittent)

99.9 (74,5 kW) @ 2200 RPM



THE GORMAN-RUPP COMPANY • MANSFIELD, OHIO

GORMAN-RUPP OF CANADA LIMITED • ST. THOMAS, ONTARIO, CANADA

www.grpumps.com

Specifications Subject to Change Without Notice

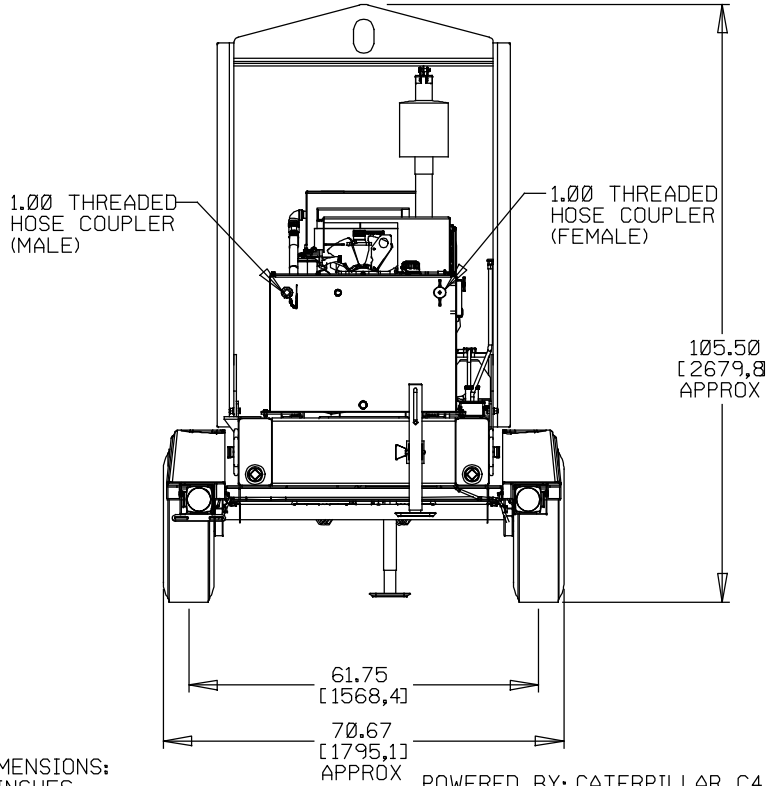
Printed in U.S.A.

**Specification Data**

APPROXIMATE  
DIMENSIONS and WEIGHTS

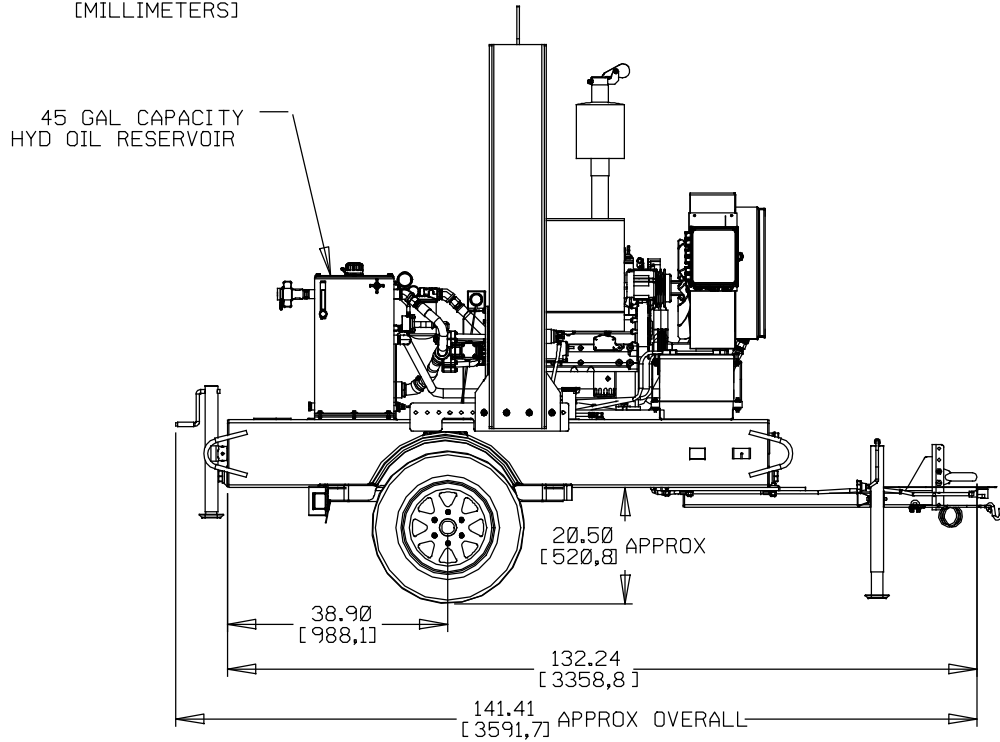
NET WEIGHT (Dry): 3490 LBS. (1583 KG)  
SHIPPING DIMENSIONS: 650 CU. FT. [18,4 CU. M.]

SECTION CAT, PAGE 110



DIMENSIONS:  
INCHES  
(MILLIMETERS)

POWERED BY: CATERPILLAR C4.4T DIESEL ENGINE



THE GORMAN-RUPP COMPANY • MANSFIELD, OHIO

GORMAN-RUPP OF CANADA LIMITED • ST. THOMAS, ONTARIO, CANADA

Specifications Subject to Change Without Notice

Printed in U.S.A.